



+63 04737 Fuller Road, East Jordan, MI 49727
(231) 536-3369 | www.miravenhill.org
info@miravenhill.org

Raven Hill Discovery Center, incorporated in 1991, is a 501(c)(3) tax-exempt corporation.

Mission: Raven Hill provides a place that enhances hands-on and lifelong learning for all ages by connecting science, history & the arts.

To: Friends and Family everywhere

From: Cheri and Raven Hill

Date: September 24, 2022

Re: **A** Call for patents

Greetings, Everyone!

Next summer, Raven Hill Discovery Center will host its second Smithsonian Museum on Main Street Exhibit. **Spark! Places of Innovation** will explore the unique combination of places, people and circumstances that sparks innovation and invention in rural communities.

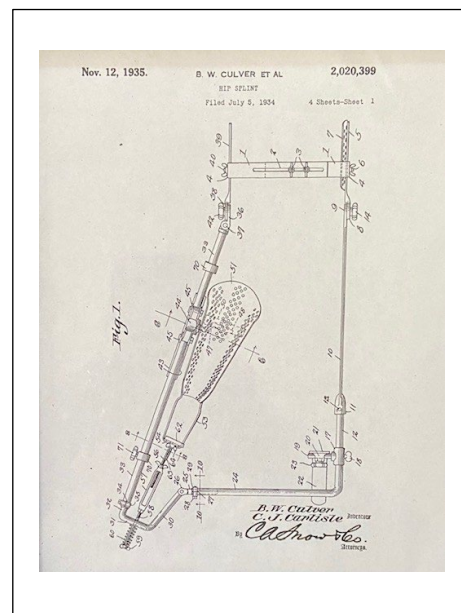


Host sites are encouraged to collaborate with community partners to develop programs that support **Spark!** As a result, Raven Hill is issuing a **call to local inventors and patent holders** to submit a copy of their patent drawings to be displayed in an old-fashioned “patent office”. This companion exhibit will be set up alongside the Smithsonian display and help inspire the next generation of inventors. Call Cheri at 231.536.3369 or email cheri@miravenhill.org and share your patent drawings.

In the **Spark Patent Office**, visitors will explore the process of inventing a product, use STEM/STEAM skills, observe local & historical patent drawings, see patent models and get involved by drawing their

own invention, which will be displayed during the Smithsonian **Spark! Places of Innovation** exhibit.

Students will also be encouraged to create a “patent model” of their invention once they return to school or home. Patent models were part of the United States patent system between 1790 and 1880. After that, they were not required. The models were handmade miniatures no larger than 12” x 12” x 12” that showed how the invention worked.



(Right) The 2,020,399th patent issued on November 12, 1935 was to B. W. Culver and C. J. Carlisle for a reversible hip splint. Inventing must run in the family! B. W. is the great-grandfather of T. Thor Leach, who received a patent for his waterslide kaleidoscope amusement device in 2015! (See below)



NATIONAL ENDOWMENT for the ARTS arts.gov

2023 sponsors

We are so excited! The Michigan Arts and Culture Council (MACC) recently took action on grant requests for fiscal year 2023. Raven Hill Discovery Center received \$16,250 in operational support from MACC and the National Endowment for the Arts (NEA). The award provides funding for administrative costs, marketing, publicity and promotion, artistic and/or other expenses. This is the twenty-third year that the Center has received support from MACC and the NEA. As always, a grant from the Michigan Arts and Culture Council requires a 1:1

match, so Raven Hill must raise \$16,250 in either cash or in-kind donations to match the grant and receive full funding. You are part of Raven Hill's support system. To facilitate lifelong learning that connects science, history and the arts, please contribute to the MACC 2023 matching grant challenge soon. Thanks, MACC and NEA!

Saturday, October 8th is the **final FREE (Families Reaching for Educational Excellence) Second Saturday** for 2022. Look for these special family days to return on May 13, 2023, when the weather warms up once again. **FREE Second Saturdays** are free admission for families only. No groups please.

Fall is a great time to visit Raven Hill. The Center is open weekends—noon to 4pm on Saturdays; 2pm to 4pm on Sundays and other times by appointment. Families and field trip groups can visit and explore both indoors and outside or book a science, history or art class for any & all ages. The Center is a perfect place for scout and 4H activities, birthday parties for all ages, retreats, weddings and other gatherings.

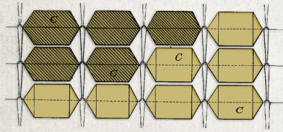
Outreach programs that come to **YOUR** site are also available for booking too. Small group "assemblies", classes and traveling exhibits, like **History Heritage & STEAM**, can travel to schools and public libraries, as well as other venues.

For more information on **FREE Second Saturdays**, plus onsite or outreach programs, email info@miravenhill.org or call Cheri at 231.536.3369.



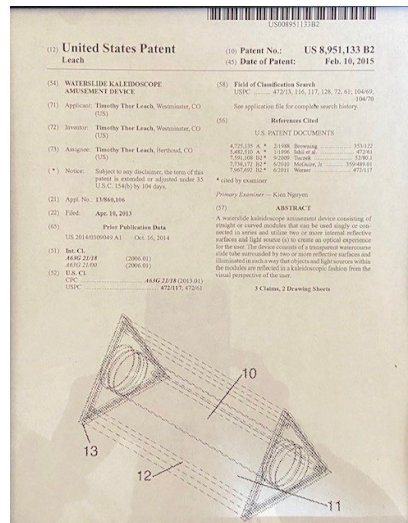
Often overlooked, this unusual bank collects coins to support the Animal Room. Next time you visit, bring your spare change and help us feed Nelson and Sheldon.

P. PLANT.
CORK SWIMMING SUIT.
Patented Nov. 21, 1882.
No. 267,799.



INVENTOR
Paschal Plant

Patents can be fascinating! "Paschal Plant patented the "Cork Swimming Suit" in 1882. The garment's fit was supposed to allow "perfectly free motions of the body and limbs" and was designed to be made out of strong string and small pieces of cork. The buoyancy of the cork would allow the user to float on water and look fashionable at the same time."



Wouldn't it be great fun to have this waterslide kaleidoscope amusement device at Raven Hill's Treehouse?

Until next time,
Cheri

