



04737 Fuller Road, East Jordan, MI 49727
(231) 536-3369 | <http://www.MiRavenHill.org>
info@miravenhill.org

We are currently open noon to 4pm Saturdays & 2pm to 4pm Sundays | Open holidays & other times by appointment

Raven Hill Discovery Center, incorporated in 1991, is a 501(c)(3) tax-exempt corporation.

Mission: Raven Hill provides a place that enhances hands-on and lifelong learning for all ages by connecting science, history & the arts.

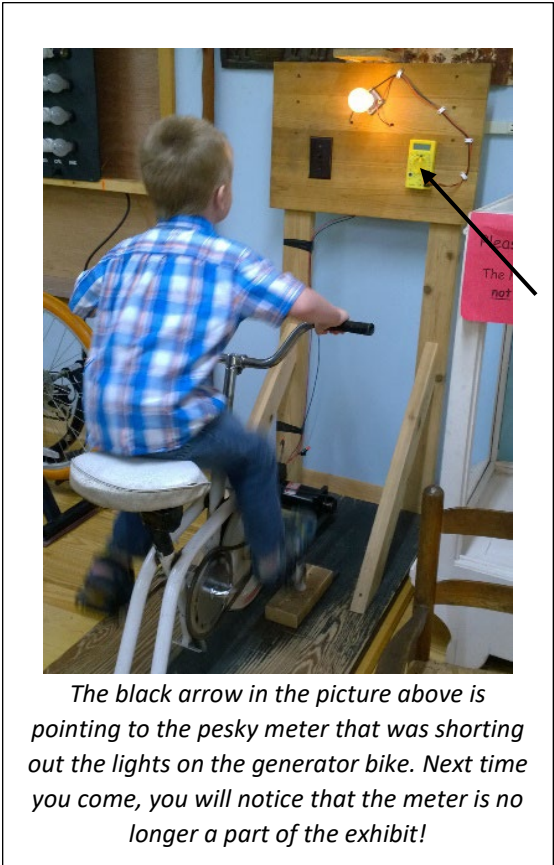
To: Raven Hill Friends
From: Cheri
Date: January 14, 2023
Re: *Squeaky wheels*

It may “take a village to raise a child” or keep Raven Hill operational, but it also takes a “squeaky wheel” or just plain asking for help. Sometimes, it is as simple as inquiring if someone will carry the turtle food in from the car. Other times, it is requesting a snake food (mouse) pick-up in Petoskey, especially, if someone mentions that they are headed in that direction anyway. Everyone is more than happy to help, if they know they can.

The origin of the “squeaky wheel” expression is unknown, but some attribute it to American humorist, Josh Billings, who used it in his poem, “The Kicker”. Written in 1870, the poem goes like this: “I hate to be a kicker, I always long for peace, but the wheel that does the squeaking, is the one that gets the grease.”

On occasion, the “grease” or help comes from the most unlikely places—our visitors! For example, we had several families enjoying the main museum recently. I mentioned that the generator bike was not working properly. When the lights don’t come on, the children get a bit frustrated. Before I knew it, a dad was examining the wires to make sure they were all connected properly and securely. He persisted in troubleshooting and finally pinpointed the problem as a faulty meter that was shorting out the lights! Once he removed the yellow meter, the “problem” was solved and the generator bike is now back in full service with both the LED light AND flasher fully operational! Now, if I hadn’t been the squeaky wheel and mentioned that there was a problem with the generator bike, the kids would have quickly moved on to another exhibit and the bicycle would have remained unusable.

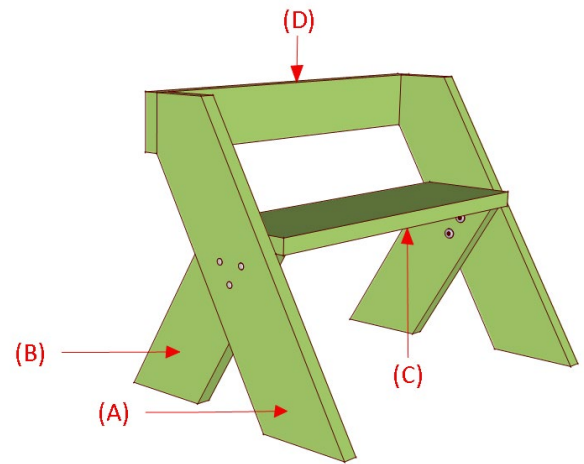
“The squeaky wheel gets the grease” is a common figure of speech. To me, it has come to mean: “if you want something done, keep talking about it!” Eventually, someone will come along who is willing and able to help. As time goes on, I find myself getting squeakier and squeakier! I’m not trying to be a nuisance, but rather I am giving others an opportunity to participate in keeping Raven Hill alive and well. For example, a friend mentioned that different style benches would be nice, as part of our new outdoor Evolving Technology Addition. I had been talking about play structures, like wagons, boats & airplanes, for the little ones to explore, as the older visitors studied the sixteen-panel timeline illustrating the history of clothing,



shelter, energy, transportation and road construction. I hadn't thought about benches for the elders! Now, I talk about them every chance I get and a couple of people have already offered to build different styled benches to correspond with various timeline panels. I am ever the "squeaky wheel"!



Thanks to Dave and Dylan Clapp, who spent last Sunday afternoon drilling holes and mounting the Evolving Technology panels. The exhibit is already on display. By summertime, there should be benches for sitting, plus wooden wagons and boats for the little ones to enjoy.



The Leopold bench was invented by Aldo Leopold, the famous conservationist. He designed and built one for when he wanted to sit down in his garden. Look for a Leopold bench by the Evolving Technology panels next summer! Maybe we can even offer a class, if anyone is interested in building their own? Let us know and we'll see what we can schedule!

Speaking of technology, remember to mark your calendars for next summer. Raven Hill Discovery Center will host its second Smithsonian Museum on Main Street Exhibit. **Spark! Places of Innovation** will explore the unique combination of places, people and circumstances that sparks innovation and invention in rural communities.



Raven Hill Discovery Center | August 26 to October 7, 2023

Meantime, this is a great time to visit the Center. Raven Hill is open weekends—noon to 4pm on Saturdays; 2pm to 4pm on Sundays, as well as holidays and other times by appointment. Families and field trip groups can visit and explore both indoors and outside or book a science, history or art class for all ages and abilities. The Center is a perfect place for scout and 4H activities, birthday parties for youngsters & adults, retreats, weddings and other gatherings.

Outreach programs, like "Reptiles To Go" or "Under Michigan—This State's Geologic History" that come to **YOUR** site are also available for booking too. Small group "assemblies", classes and touring exhibits, like **History Heritage & STEAM**, can travel to schools and public libraries, as well as other venues.

For more information about onsite or outreach programs, email info@miravenhill.org or call Cheri at 231.536.3369.

Until next time, **Cheri,**
Raven Hill's squeaky wheel



NATIONAL ENDOWMENT for the ARTS
arts.gov

2023 sponsors